

Transmit Circuitry

TX TXD IN  
TX X1\_IN  
TX PTT\_IN  
TX PTT\_OUT  
TX PTT\_LED  
TX X16\_IN  
TX X1\_OUT  
TX\_TXA

Optional Circuits

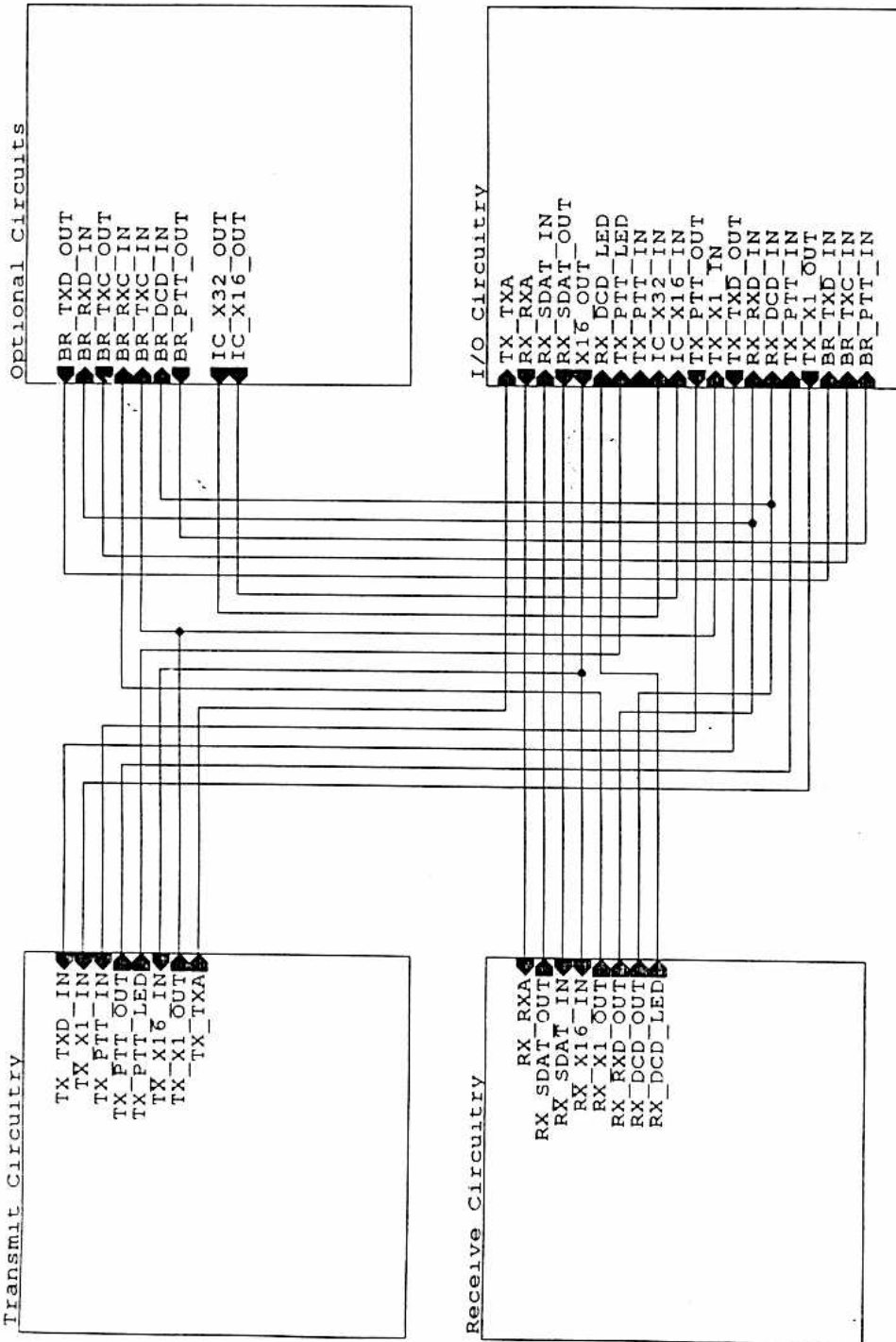
BR TXD\_OUT  
BR RXD\_IN  
BR TXC\_OUT  
BR RXC\_IN  
BR TXC\_IN  
BR DCD\_IN  
BR PTT\_OUT  
IC X32\_OUT  
IC X16\_OUT

Receive Circuitry

RX RXA  
RX SDAT\_OUT  
RX SDAT\_IN  
RX X16\_IN  
RX X1\_OUT  
RX RXD\_OUT  
RX DCD\_OUT  
RX\_DCD\_LED

I/O Circuitry

TX TXA  
RX RXA  
RX SDAT\_IN  
RX SDAT\_OUT  
X16\_OUT  
RX DCD\_LED  
TX PTT\_LED  
TX PTT\_IN  
IC X32\_IN  
IC X16\_IN  
TX PTT\_OUT  
TX X1\_IN  
TX TXD\_OUT  
RX RXD\_IN  
RX DCD\_IN  
TX PTT\_IN  
TX X1\_OUT  
BR TXD\_IN  
BR TXC\_IN  
BR\_PTT\_IN



Title

9600 BPS Modem

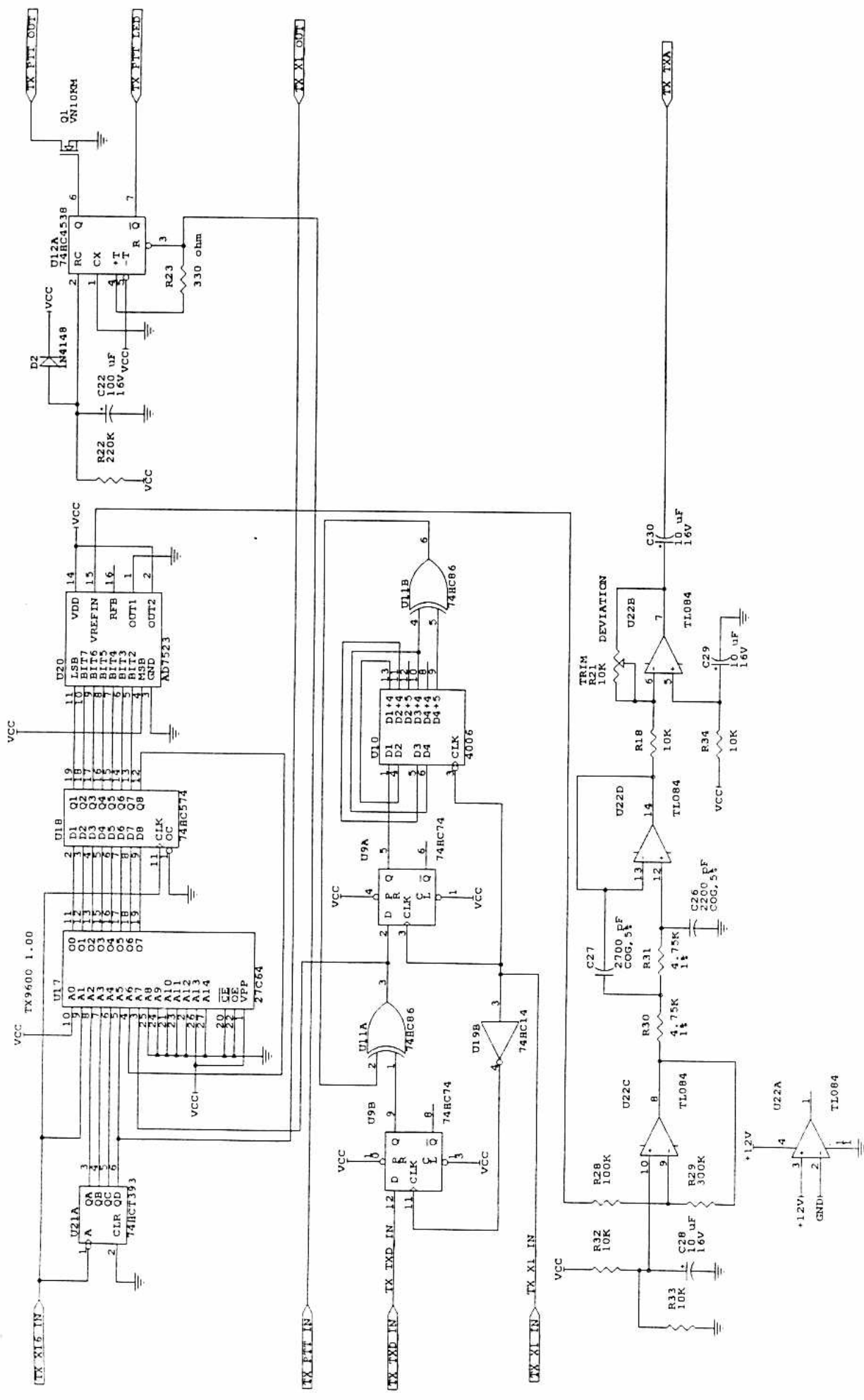
Size Document Number

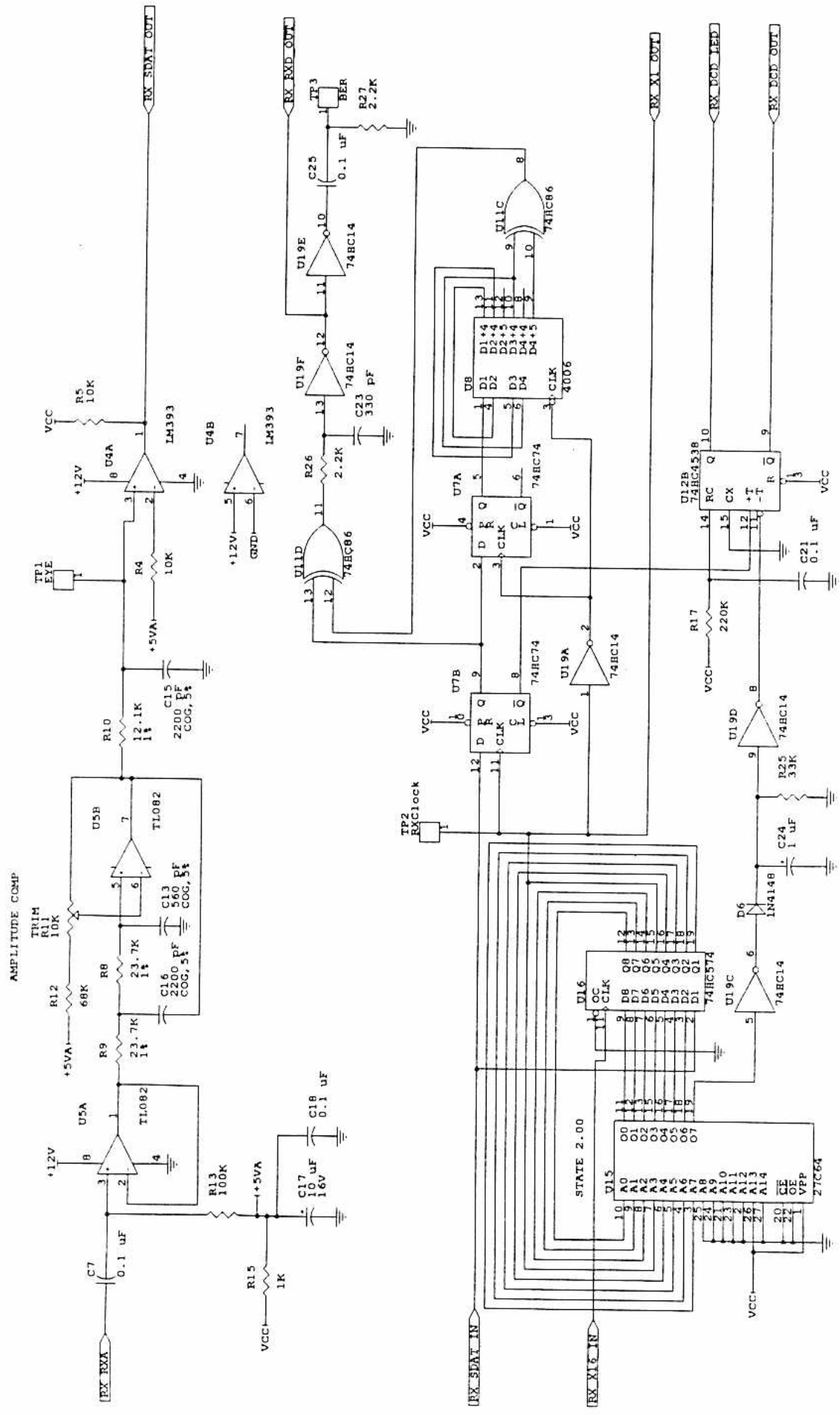
A

REV

1

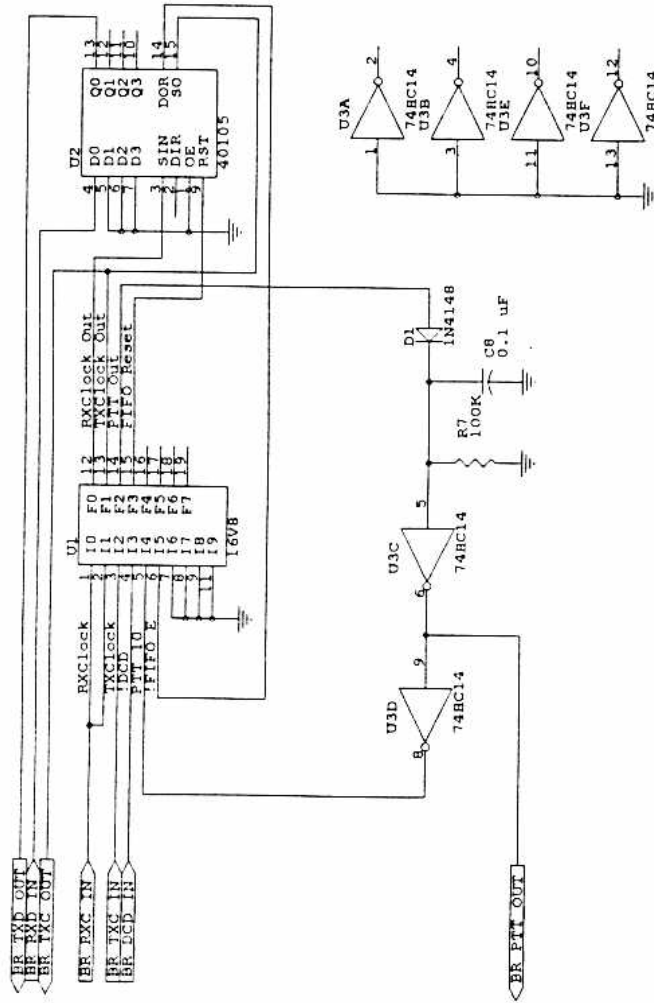
Date: June 17, 1992 Sheet 1 of 5





Title	9600 BPS MODEM - RECEIVE
Size/Document Number	911102
REV	1
Date	September 27, 1992
Sheet	3 of 5

### BIT REGENERATOR



### INTERNAL CLOCK

