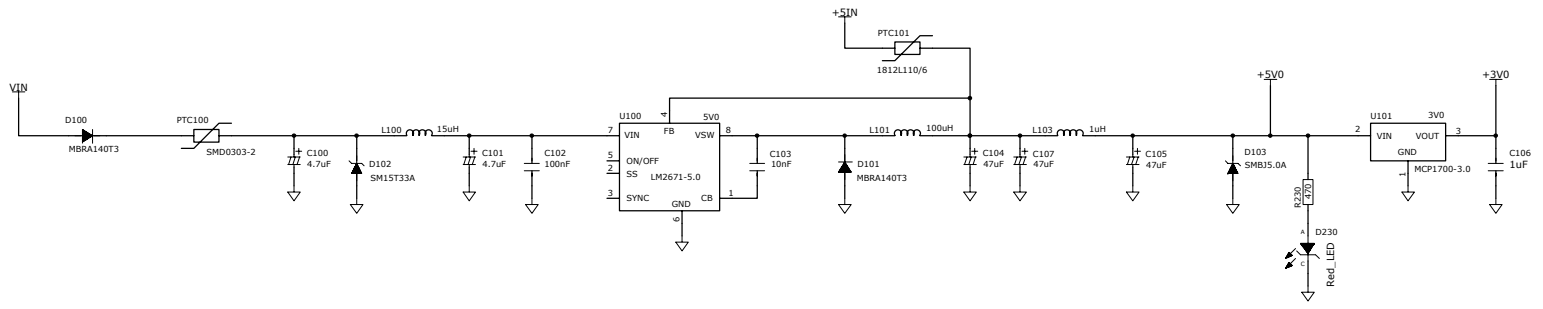


Schematic for Synergy Systems PN10001536 receiver Power/Interface PCA
For Reference Use - No Warranty Implied



D
C
B
A

6 5 4 3 2 1

